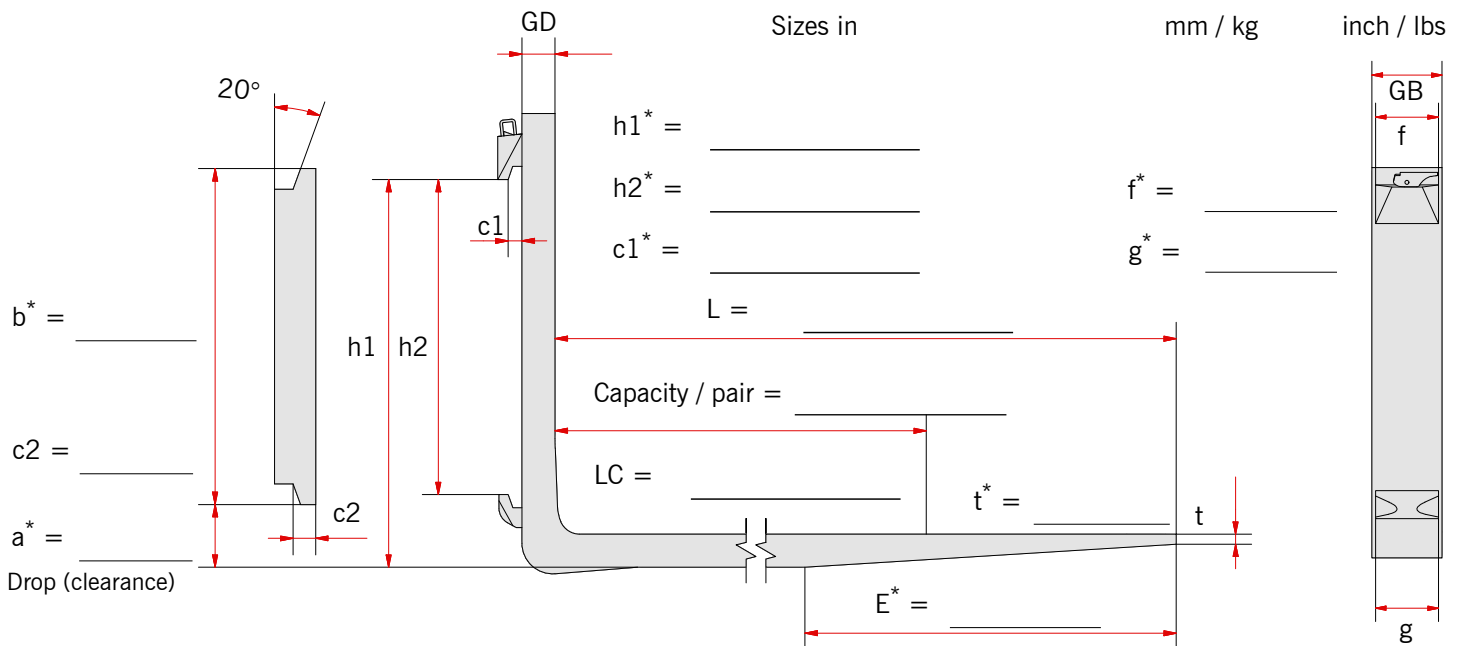


QualityForks with ITA suspension
and drillings

Company _____
 Street _____
 Postal code, town _____
 Cross-section (width x thickness) _____
 Length (L) _____
 Quantity _____
 Delivery date _____

Name _____
 Tel. _____ Fax _____
 E-Mail _____
 Lift truck brand _____
 Lift truck type _____
 Date, Signature _____

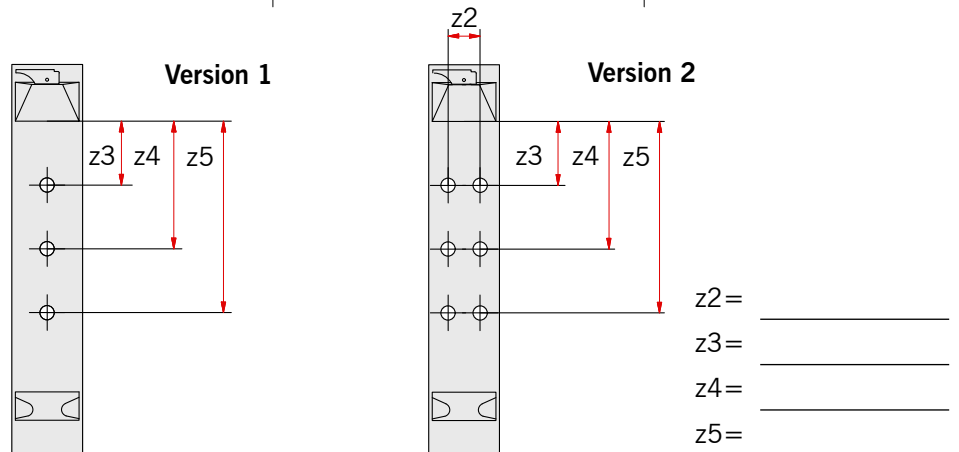


Suspension (please tick)

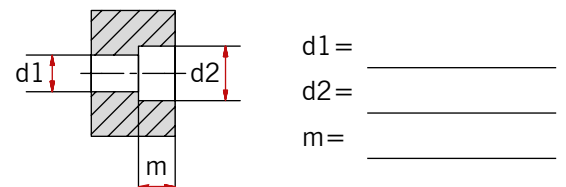
- | | |
|---------------------------------|---------------------------------|
| <input type="checkbox"/> ITA 1A | <input type="checkbox"/> ITA 1B |
| <input type="checkbox"/> ITA 2A | <input type="checkbox"/> ITA 2B |
| <input type="checkbox"/> ITA 3A | <input type="checkbox"/> ITA 3B |
| <input type="checkbox"/> ITA 4A | <input type="checkbox"/> ITA 4B |
| <input type="checkbox"/> ITA 5A | <input type="checkbox"/> ITA 5B |

Please tick one version of drilling

Total number of drillings _____
 Screw size _____
 M _____



Please define countersunk drilling



*Note: „Optional“ data (fill in only if deviations from the standard)