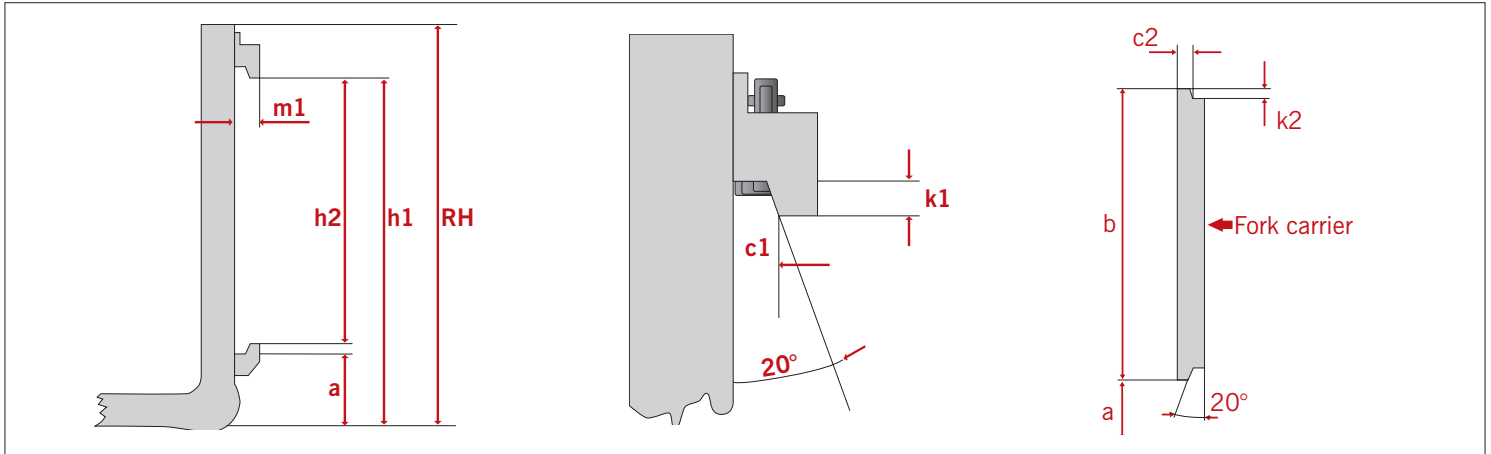


Connection measures I.T.A. suspension

Today, the ISO suspension is world-wide the most common way of connecting forks to the lift-truck.

According to the rated truck capacity the ISO standard consists of 5 classes, each of them having a form „A“ and „B“ (e.g. class „2A“ or „2B“). The difference in the forms „A“ and „B“ is the fork drop (clearance lower hook to floor).

All measures are defined in the international standard ISO 2328. In the table below, the most important measures are listed.



Class	Rated lift-truck capacity kg / lbs	Load center mm / in	Form ISO / I.T.A.	Drop a clearance mm / in	b mm/ in	c1 ⁺¹ mm / in	c2 ₋₁ mm / in	h1±3 mm / in	h2* mm / in	k1 min. mm / in	k2 _{-1,5} mm / in	m1 max. mm / in	RH± ¹⁰ ₅ ITA mm / ITA in
ISO 1 ITA 1	0-999 / 0 - 2,200	400 (600 ^a) / 24	1A	76 /	331 / 13	16,5 / 0.65	16 / 0.63	394 /	306 / 12.05	14 / 0.55	13 / 0.51	31 / 1.22	1A 475 /
			1A	2.99				15.51					1A 18.70
			1B	114 /				432 /					1B 510 /
			1B	4.49				17.01					1B 20.08
ISO 2 ITA 2	1,000-2,500 / 2,200 - 5,500	500 (600 ^b) / 24	2A	76 /	407 / 16	16,5 / 0.65	16 / 0.63	470 /	382 / 15.04	14 / 0.55	13 / 0.51	31 / 1.22	2A 550 /
			2A	2.99				18.50					2A 21.65
			2B	152 /				546 /					2B 625 /
			2B	5.98				21.50					2B 24.61
ISO 3 ITA 3	2,501-4,999 / 5,501 - 10,999	500 (600) / 24	3A	76 /	508 / 20	22 / 0,87	21.5 / 0.85	568 /	477 / 18.78	17 / 0.67	16 / 0.63	40 / 1.57	3A 655 /
			3A	2.99				22.36					3A 25.79
			3B	203 /				695 /					3B 780 /
			3B	7.99	27.36	3B 30.71							
ISO 4 ITA 4	5,000-10,000 / 11,000 - 22,000	600 / 24	4A	127 /	635 / 25	26 / 1.02	25.5 / 1.00	743 /	598 / 23.54	20 / 0.79	19 / 0.75	47 / 1.85	4A 845 /
			4A	5.00				29.25					4A 33.27
			4B	254 /				870 /					4B 970 /
			4B	10.00	34.25	4B 38.19							
ISO 5** ITA 5**	8,001-10,999 / 17,640 - 24,250	600 / 24	5A	127 /	728 / 28.67	35 / 1.38	34 / 1.37	830 /	680 / 26.77	26 / 1.02	25 / 0.98	65 / 2.56	5A 940 /
			5A	5.00				32.68					5A 37.01
			5B	257 /				960 /					5B 1070 /
			5B	10.12				37.80					5B 42.13

* ISO / ITA 1 + 2: Tolerance + 1 mm, ISO / ITA 3,4 + 5: Tolerance + 1.5 mm

** ISO / ITA 5 is introduced in 2003, but still unusual in Europe. The capacity range of 5,000—10,000 kg is still mainly covered by ISO 4.

a) 600 mm is used in the USA

b) 600 mm is used in the USA, Asia, Australia

The illustrations only represent the basic principles and do not constitute a contractual entitlement.
Technical information will not be updated automatically.