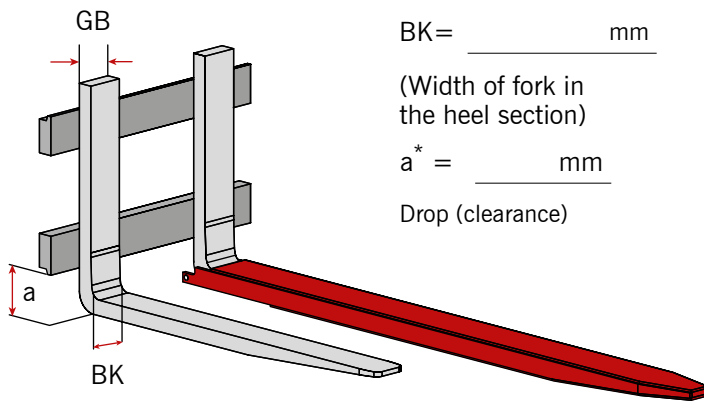


Quality ForkExtensions

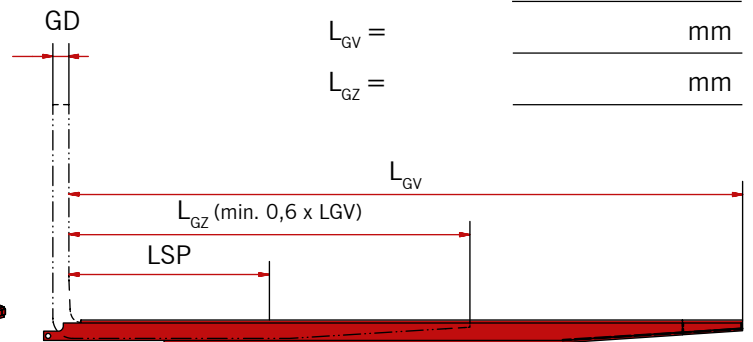
Company _____
 Street _____
 Postal code, town _____
 Cross-section (width x thickness) _____
 Length (L) _____
 Quantity _____
 Delivery date _____

Name _____
 Tel. _____ Fax _____
 E-Mail _____
 Lift truck brand _____
 Lift truck type _____
 Attachment _____
 Application _____

Important
 $L_{GV}(\max) = L_{GZ} / 0,6$



Capacity / pair _____ kg
 LC = _____ mm
 (Basic fork)
 L_{GV} = _____ mm
 L_{GZ} = _____ mm



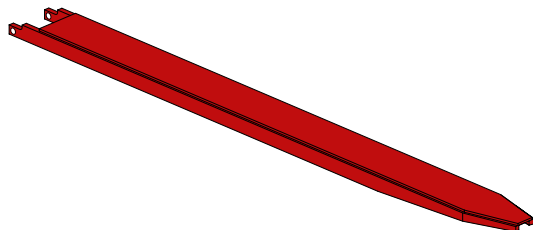
The fork extension has to be supported by the fork to minimum 60 % of its total length.

Extension design

Open



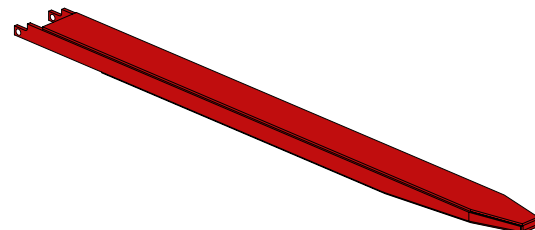
The underside of the extension is open for light or medium usage. The load is allowed to have its load centre in the area of the supporting fork.



Closed



The underside of the fork extension is closed. The extension is suitable for heavier usage. The load is allowed to lie in the area which is not supported by the fork.



Special design

for hand lift trucks

*Note: „Optional“ data (fill in only if deviations from the standard)